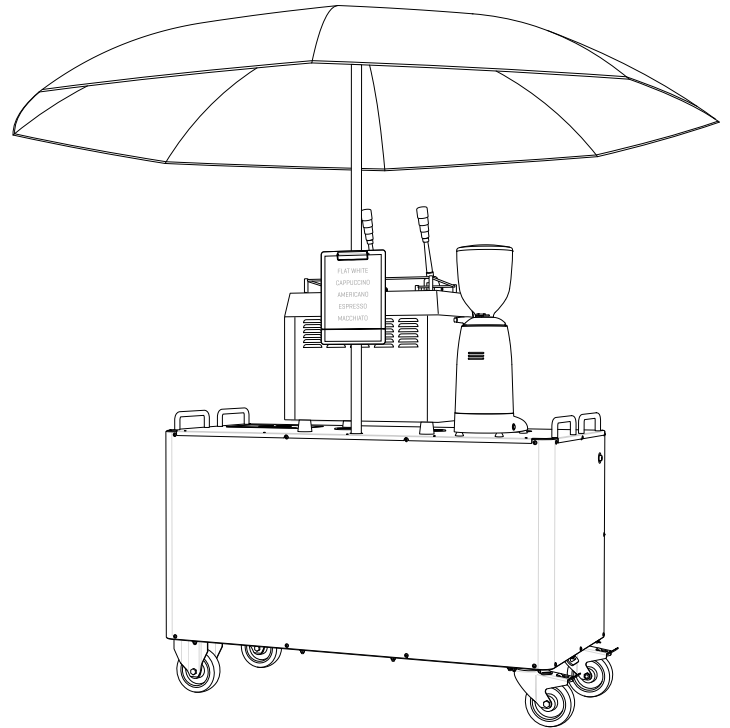
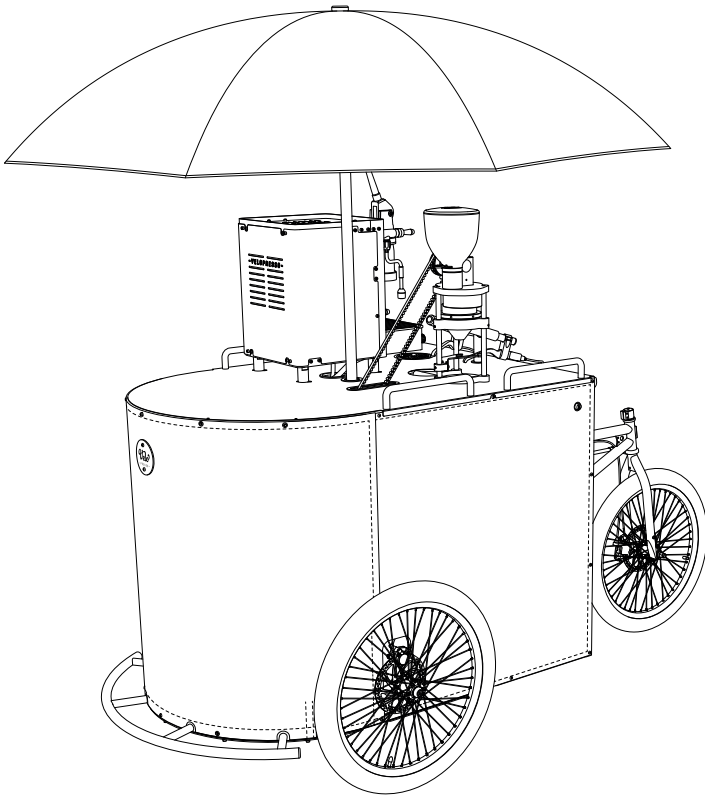




VELOPRESSO COFFEE SERVICE HIRE



ABOUT VELOPRESSO

Velopresso, the pedal-powered coffee trike, is an award-winning product that is completely unique in the world of artisan coffee and mobile catering. The Velopresso is designed and manufactured in the UK by us, and features the first and only pedal-powered commercial grade coffee grinder in the world among its many innovations.

It is also the only truly mobile commercial espresso trike in the world. There are now 32 of our trikes operating in 13 different countries around the globe. We are very proud of the design and UK manufacturing side of our company, were early members of the Made in Britain campaign organisation and in 2015 were voted into the top 100 list of influential businesses in UK manufacturing by *The Manufacturer* magazine.

You can now hire the services of these beautifully engineered and sustainable coffee trikes (or Pop-up Bars), complete with professional barista to provide exquisite coffee for your event, while supporting British innovation and manufacture at the same time.

Velopresso Ltd
London, UK
© 2023, All rights reserved

Registered in England:
Company 08324134
Lloyds Bank Chambers
Bradford BD1 1UQ

velopresso.cc
contact@velopresso.cc

COFFEE SERVICE HIRE

Since 2012 we have provided coffee services for corporate hires, exhibitions and events in London and beyond. We have operated our trikes for the Mayor of London and the Tour de France, to local arts festivals and in iconic locations both indoors and out, including Trafalgar Square, Covent Garden, and the South Bank. In 2013 we were chosen by architect Richard Rogers for a 3-month residency as the featured sustainable coffee provider in his retrospective at the Royal Academy of Arts.

Our Coffee Service is a complete package and includes a trained barista, all consumables and a range of branding and menu options. We collaborate with award-winning specialty coffee roasters Perky Blenders who provide us with fresh roasted and expertly blended beans of the highest quality. We can serve at your event from either a Velopresso trike or our Pop-up Bar depending on what is most suited to your event and the location.

The Velopresso trike can operate indoors or out, be fully mobile and completely self-sufficient (off-grid) with its' pedal-powered grinder and water pump; gas-powered espresso machine; onboard water supply and internal waste collection. Although the trike comes into its own operating off-grid in the open air, it also excels inside - and has been used in all kinds of iconic buildings and surprising spaces. When inside (or anywhere where gas is prohibited) we power the espresso machine by mains electricity.

Our beautifully engineered and compact Pop-up Bars are just 0.7m wide by 1.4m long, and are the ideal option when access is really tight, and are perfect for squeezing into office block lifts and through narrow doorways. The bars can operate outdoors too, although currently require access to a mains electrical socket to power the grinder and pump, but will be off-grid too in the near future.

Velopresso clients:



MENU

Our coffee menu is based on grinding fresh on demand per drink using a double shot (18g) of Perky Blenders' signature Forest Blend beans. This combination of Colombian (Asorcafe) and Brazilian (Fazenda Samambaia) arabica beans offers hints of chocolate, brown sugar and a fruity finish. Drinks are served in plant-based compostable paper cups by Decent – either 4oz or 6oz. Organic whole milk is used with Oatly Barista as the non-dairy option. Our standard coffee menu is:

Espresso	Flat White
Macchiato	Cappuccino
Piccolo	Americano

Menu Options:

Please contact us to discuss any of the following additional menu options, or other specific requirements you may have for your event:

Tea, herbal tea, hot chocolate, iced coffee, affogato
Brownies, cakes, or pastries
Ceramic cups (these may be an option for small private events)

HIRE FEES

All pricing is subject to VAT at 20%

Coffee Service:

Coffee Service fees: our coffee service is a complete package including a trained barista, all consumables and unlimited drinks at up to 40 drinks per hour. If the specifics of your event requires it, our drinks output can be increased in various ways, such as using the Pop-up Bar with a 2-group machine, hiring an assistant barista, or tailoring the menu to your event – please enquire for further details. Our minimum hire fee of £450 covers up to 3hrs service and then we charge £90 per hour thereafter. Please note we arrive on site at least 1hour prior to the coffee service start time to prepare.

0–3 hours	£450
4 hours	£540
6 hours	£720
8 hours	£900
Multi-day service	Discount 10 – 20%

Transit:

We are London-based but will consider events anywhere in the UK. We aim to minimise our (and your) carbon-footprint wherever possible and for events up to 8 miles away – and where logistics and routing allows – we will ride the Velopresso trike to and from your event. For longer distances and for the Pop-up Bar we hire a van. Our transit fee pricing aims to keep this fair and proportional,

and if your location is over 60miles away, or is a multi-day event, we will provide a bespoke quote with a discounted rate. The transit fee is calculated on the total distance to the event location from our base (London, SE15 1TW) as a return trip. Congestion charge and parking fees as required will be charged on at cost.

Trike: 0 – 2 miles (cycled)	Free
Trike: 2 – 8 miles (cycled)	£5 / mile
Trike: 8 – 60 miles (van)	£150 + £1.50 / mile
Pop-up Bar: 0 – 60 miles (van)	£150 + £1.50 / mile

Branding:

Our default branding for the trike and bar is either the black and white 'COFFEE mural' by Toby Triumph or the 'Perky Blenders x Velopresso' collaboration branding, with a plain white umbrella.

If you or your client wish to re-brand the trike or bar then full custom panel sets offering around 3 square metres of branding space can be made for your event in just 3 days (but its still always best to place your order at least a week or more in advance if possible). You can include an umbrella in the re-brand by ordering either a plain colour or full custom branded umbrella if the lead-time (3 weeks) and budget allows.

Other popular branding options include cup stickers that can be applied to our standard plain white cups, and are an affordable and very quick option that looks great. Printed cups are also an option but due to the long lead-time and minimum order quantities they are best suited for multi-day events booked a month or so in advance – please enquire for further details.

Please note lead-times required from receipt of final artwork for these branding options. We can also supply graphic design services at £45 p/h if required for preparing your branded items.

Trike: Branding wrap (3 days lead time)	£270
Pop-up Bar: Branding wrap (3 days lead time)	£220
Cup stickers: x 500 (3 days lead time)	£75
Umbrella: plain colour / branded (3 week lead time)	£385 / £575

Payment:

When a coffee service hire is confirmed we will issue our invoice. All hires require payment in full at least 3 days prior to the event and/or in accord with the terms on the invoice – and this is non-refundable. If branding is ordered then payment in full for the branding and event is required in advance of the branding order being placed with our suppliers. Payment can be made by bank transfer or by credit card online. Once paid for, the branded items become your property and can be returned to you after the event on request, or we can retain and preserve them for use at a future event where you require a Velopresso or Pop-Up Bar.

ACCESS, DIMENSIONS, CERTIFICATION, INSURANCE, COVID-19, ETC.

Before confirming your hire, please read the following additional notes below and contact us to discuss the details of your event at the earliest opportunity.

Access:

The full dimensions of the Velopresso trike and Pop-Up Bar are provided in the pages below. Prior to confirming our availability for your event we will need to be certain that it is possible for the trike or bar to access the desired serving location, taking into account any steps, lifts, doorways etc., that are necessary to navigate from our arrival point at street level onwards. We may need to discuss access with you in detail prior to accepting the booking. Occasionally it is possible to visit a site to be sure, but we cannot routinely offer this service so the emphasis is on you, the hirer, to establish with us that the location access will accommodate the trike or bar before confirming the booking.

Permissions of landowner:

Please note that if you require the coffee service to operate in public space – including parks, streets, squares, outside stations etc. – or privately-owned land, then permissions may be required from the local council, transport operators or landlord concerned. These may take sometime to arrange (this varies greatly). We recommend all necessary permissions are investigated well in advance of your event.

Certification, H&S, RAMS, insurance, etc:

Velopresso Ltd is registered in England and has been trading since 2013. We are members of NCASS (Nationwide Caterers Association) and follow their well-established H&S training programs – our staff will have a minimum of Level 2 Food Hygiene certificates – and RAMS (risk assessment management system). Our machines are certified for use as mobile catering vehicles and have 6-monthly Gas-Safe and PAT tests. We have public liability insurance cover (£5,000,000). All certification can be provided on request.

Covid-19:

In addition to standard hygiene training, since the Covid-19 pandemic outbreak our baristas have completed WHO COVID-19 Mass Gatherings Risk Assessment Training 2020 courses and will operate in accord with the most current WHO or UK Government guidelines as required at the time of the event. Any staff present will also provide proof of a recent negative lateral flow test on the day and will wear a mask throughout the service period – including setup and breakdown – if required by current guidelines.

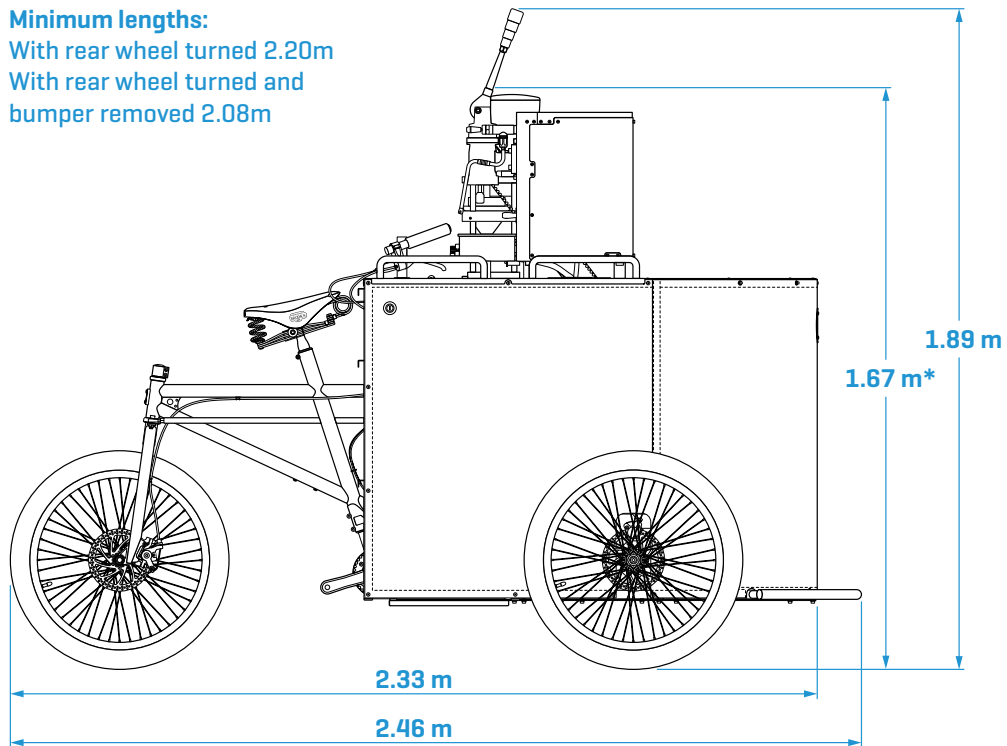
Contact us:

Please don't hesitate to phone or email us with any questions.

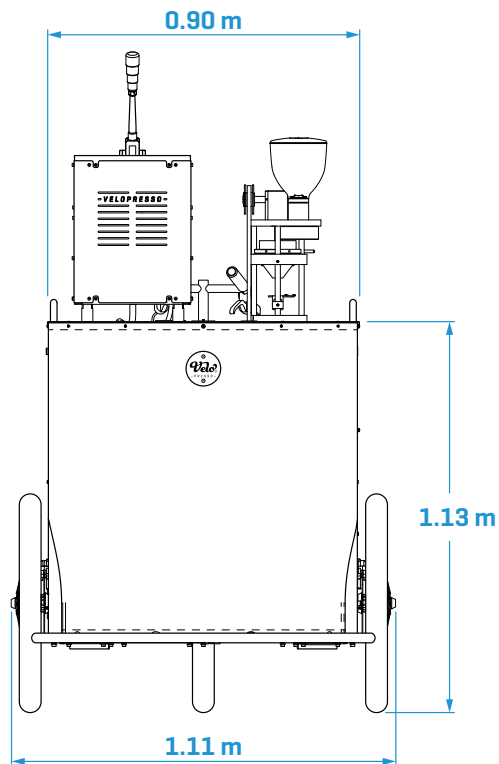
contact@velopresso.cc 07939 014 891 (Amos) 07516 179 444 (Lasse)

TRIKE DIMENSIONS

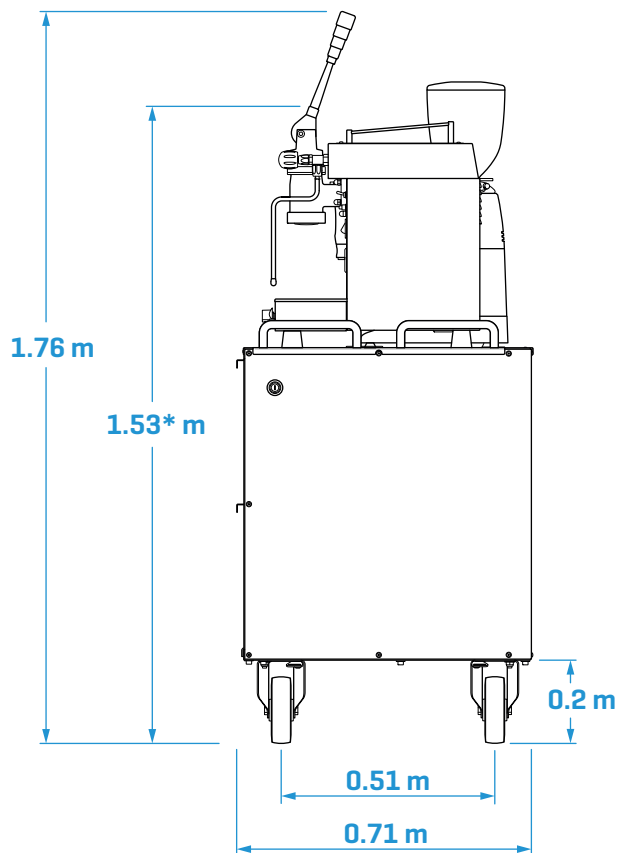
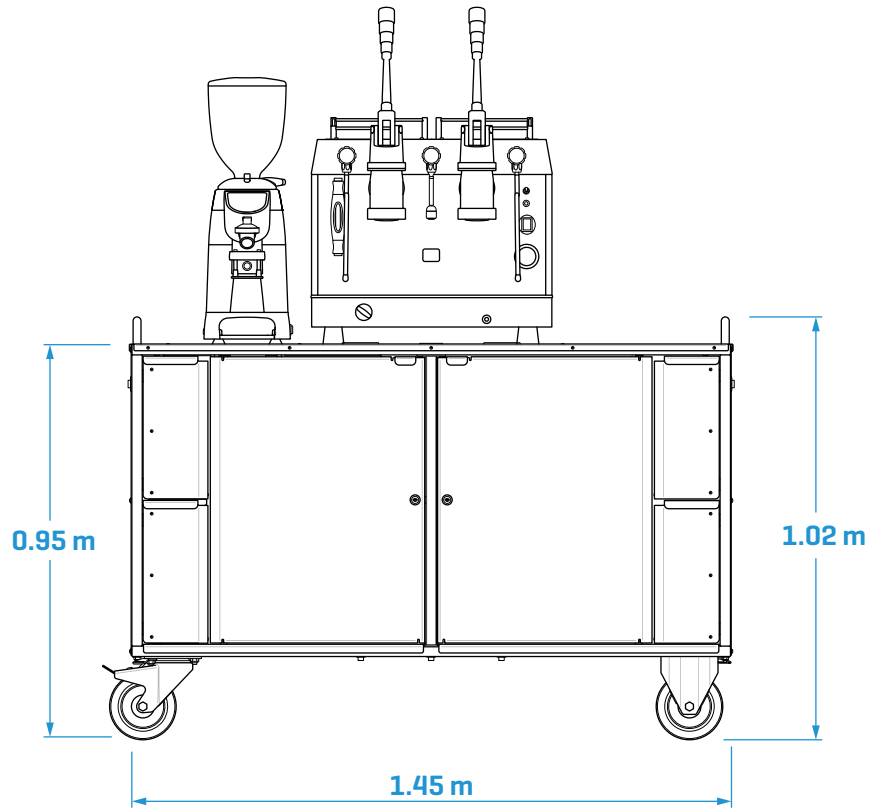
Minimum lengths:
With rear wheel turned 2.20m
With rear wheel turned and
bumper removed 2.08m



***height with the espresso machine lever removed**

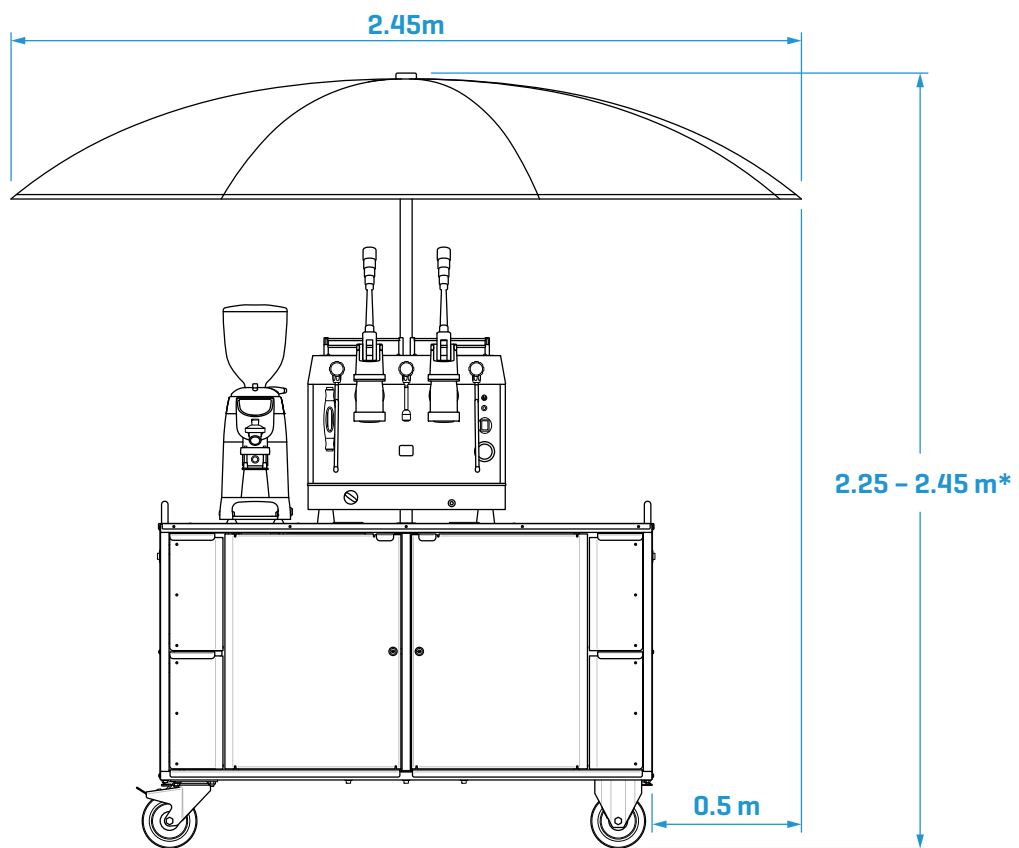
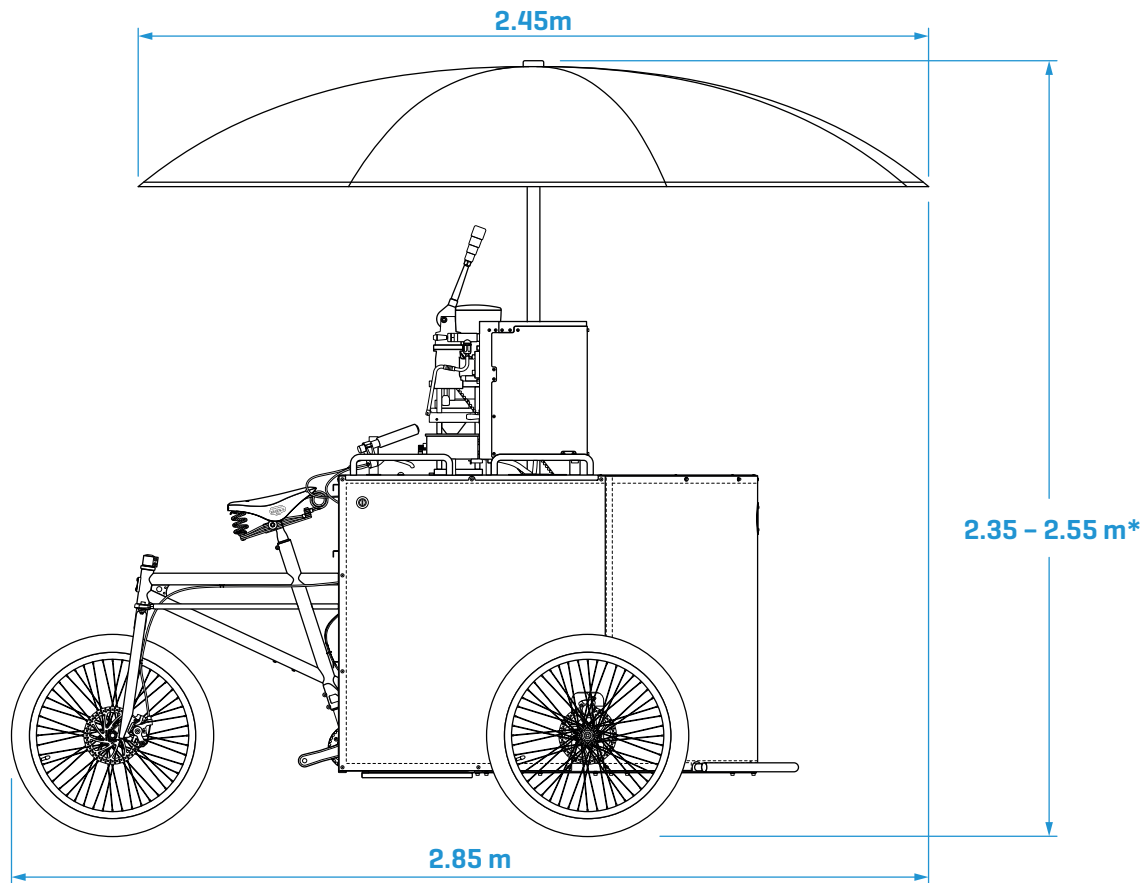


POP-UP BAR DIMENSIONS



***height with the espresso machine lever removed**

UMBRELLA DIMENSIONS



*height adjustable within the given approximate range